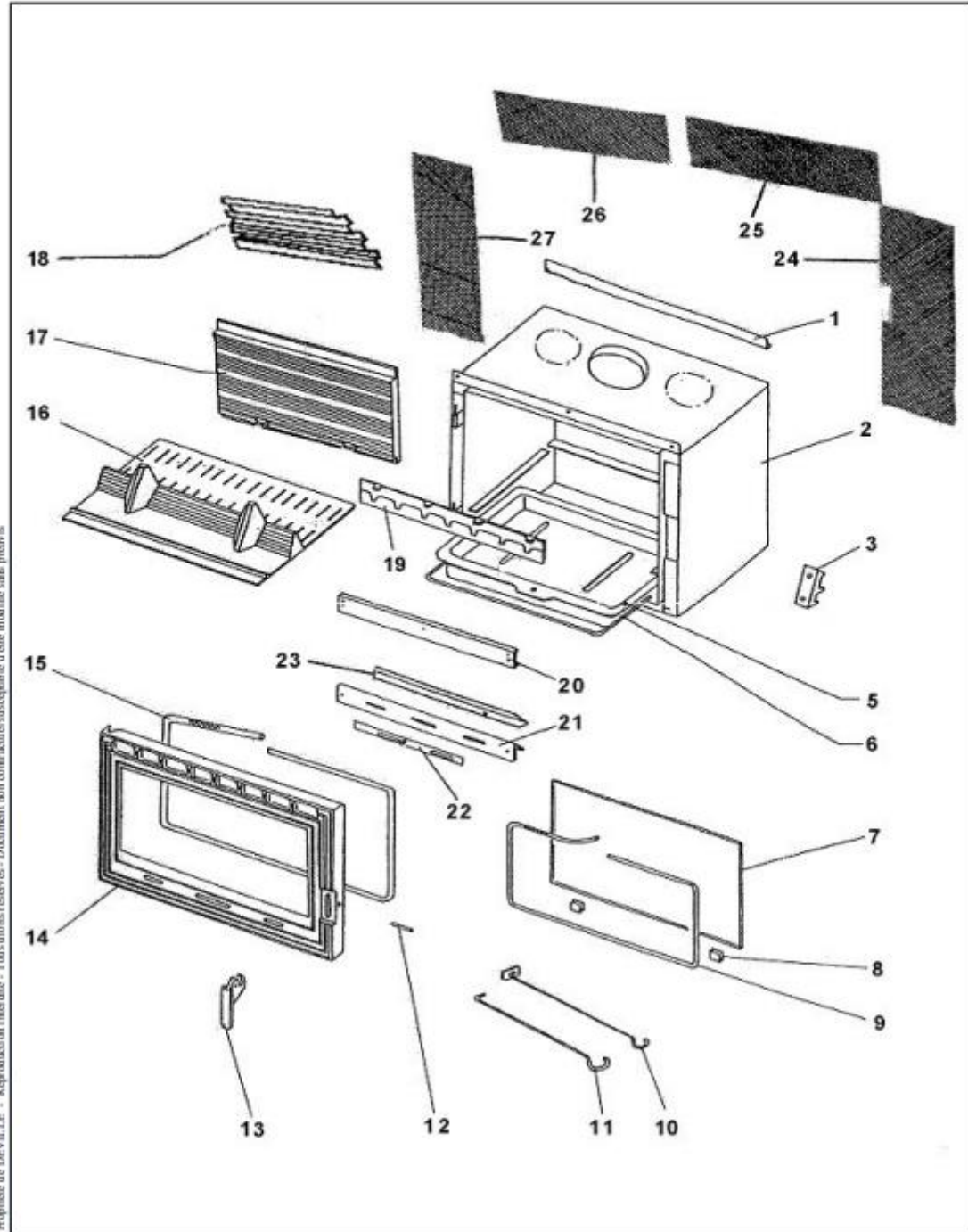



INSERT BOIS - 7 KW
PORTE GRISE C07844.PT09
PORTE LAITONNEE C07844.PT12



| | |
|---|---|
|  | N° de document : DT-F-003 |
| Eclaté | Date d'application : 01.07.03 Indice A |

INSERT BOIS - 7 KW
PORTE GRISE C07844.PT09
PORTE LAITONNEE C07844.PT12

| REP. | DESIGNATION | REF. PIECE | Tère URG | REP. | DESIGNATION | REF. PIECE | Tère URG |
|------|---|-----------------|-------------|------|-------------------------|------------|-------------|
| 1 | Plaque obturatrice | P0036925 | | - | Arrêt d'axe ARCB - Ø4,5 | P0011650 | |
| 2 | Ens. corps soudé | P0036860 | | | | | |
| 3 | Verrou de porte | P0T18055 | | | | | |
| 5 | Cendrier | P0037256 | | | | | |
| 6 | Anse de cendrier | P0017946 | | | | | |
| 7 | Verre de porte | P0036900 | X | | | | |
| 8 | Profilé entretoise - prof. 30/10 (0.02 m) | P0023047 | | | | | |
| 9 | Tresse - Ø6 - noire | D0045937 | | | | | |
| 10 | Raclette | P0013447 | | | | | |
| 11 | Poignée tisonnier | P0045661 | | | | | |
| 12 | Goupille cannelée - ISO 8745 - 8-24 | P0027091 | | | | | |
| 13 | Clenche | P0T20337 | | | | | |
| 14 | Porte fonte | A P0T36868/P06B | | | | | |
| | Porte fonte - laitonée | B P0T36868/12 | | | | | |
| 15 | Tresse - Ø15 - noire | D0045928 | | | | | |
| 16 | Corbeille | P0019535 | X | | | | |
| 17 | Plaque arrière | P0019536 | X | | | | |
| 18 | Défecteur | P0036889 | | | | | |
| 19 | Avaloir usiné | P0U18056 | | | | | |
| 20 | Guide d'air supérieur | P0036898/P09E | | | | | |
| 21 | Support volet | P0036888 | | | | | |
| 22 | Ens. volet de réglage d'air | P0036906/P09E | | | | | |
| 23 | Joint métallique | P0036942 | | | | | |
| 24 | Plaque latérale droite | P0018108 | | | | | |
| 25 | Plaque supérieure droite | P0018166 | | | | | |
| 26 | Plaque supérieure gauche | P0018165 | | | | | |
| 27 | Plaque latérale gauche | P0018109 | | | | | |
| | | | | | | | |

A: C07844.PT09

B: C07844.PT12