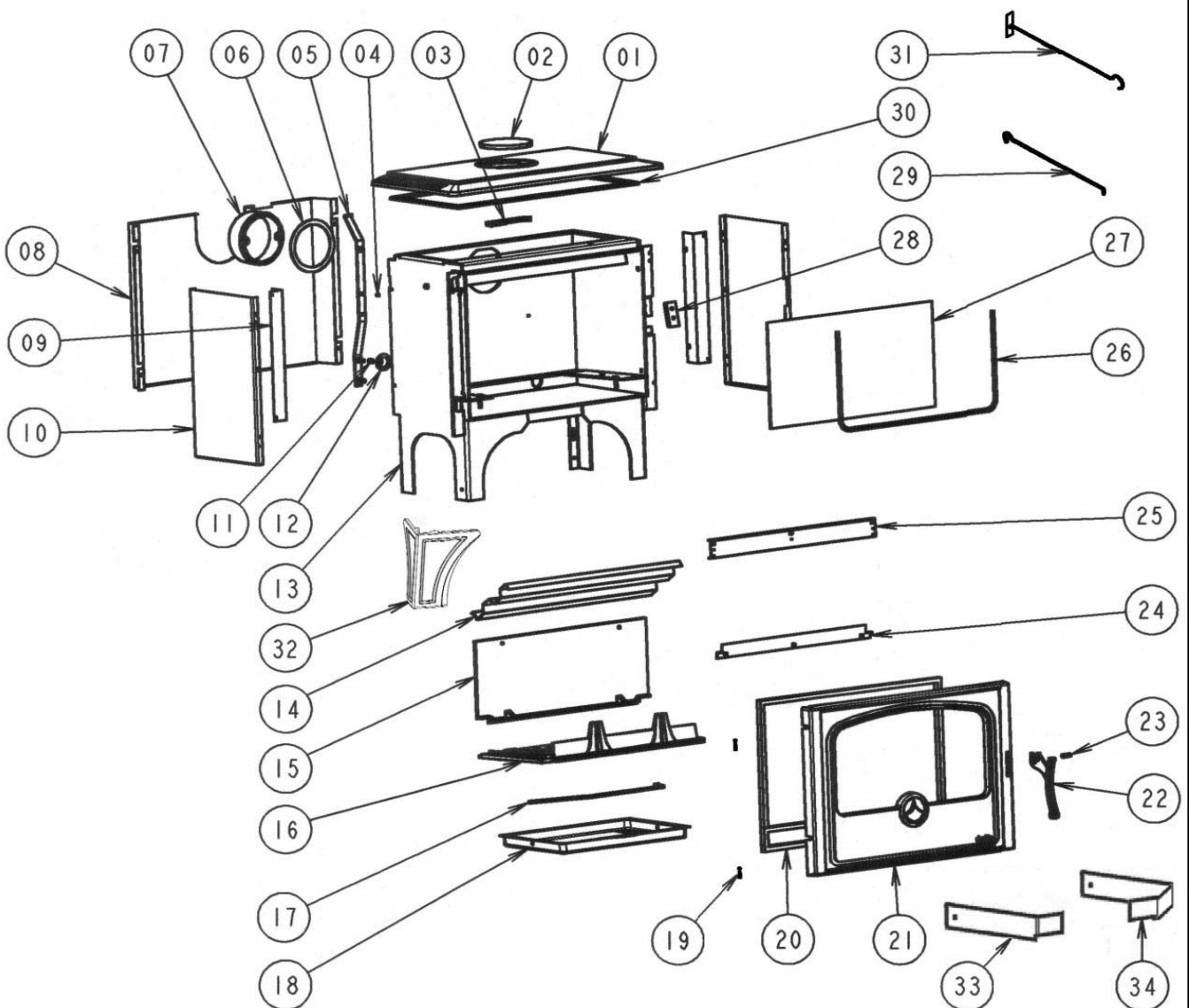


**Eclaté**Date d'application : 01.07.03  
Indice A**POELE BOIS ECO - 9 KW**  
**VERT C07788.05 - BRUN C07788.08 - GRIS C07788.09**

**Eclaté**

 Date d'application : 01.07.03  
 Indice A

**POELE BOIS ECO - 9 KW**  
**VERT C07788.05 - BRUN C07788.08 - GRIS C07788.09**

| REP. | DESIGNATION                       | REF. PIECE      | 1ère URG | REP. | DESIGNATION                         | REF. PIECE       | 1ère URG |
|------|-----------------------------------|-----------------|----------|------|-------------------------------------|------------------|----------|
| 1    | Dessus                            | A P0T47349/E05C |          | 21   | Porte                               | A P0T47348/E05C  |          |
|      | Dessus                            | B P0T47349/E08C |          |      | Porte                               | B P0T47348/E08C  |          |
|      | Dessus                            | C P0T47349/P09H |          |      | Porte                               | C P0T47348/P09H  |          |
| 2    | Tampon de buse                    | A P0T20434/E05C |          | 22   | Ens. poignée                        | AB P0048755/P12A |          |
|      | Tampon de buse                    | B P0T20434/E08C |          |      | Ens. poignée                        | C P0048755/P09H  |          |
|      | Tampon de buse                    | C P0T20434/P09H |          | 23   | Goupille cannelée - ISO 8745 - 8-24 | P0027091         |          |
| 3    | Etrier de tampon de buse          | P0020437        |          | 24   | Presse-verre                        | P0046328         |          |
| 4    | Entretoise d'axe de porte         | P0014727        |          | 25   | Guide d'air                         | P0028061/P09E    |          |
| 5    | Levier de cde volet réglage d'air | P0T20858        |          | 26   | Tresse - Ø6 -noire                  | D0045937         |          |
| 6    | Joint de buse                     | P0046738        | X        | 27   | Verre de porte                      | P0046330         | X        |
| 7    | Buse                              | P0T07562        |          | 28   | Verrou de porte                     | P0T18055         |          |
| 8    | Ecran arrière                     | P0047570        |          | 29   | Poignée tisonnier                   | P0045661         |          |
| 9    | Equerre de panneau (2)            | P0047511        |          | 30   | Tresse - Ø10 - noire                | D0045933         |          |
| 10   | Panneau latéral (2)               | A P0047571/E05H |          | 31   | Raclette                            | P0013447         |          |
|      | Panneau latéral (2)               | B P0047571/E08J |          | 32   | Pied (4)                            | A P0T49672/E05C  |          |
|      | Panneau latéral (2)               | C P0047571/E09F |          |      | Pied (4)                            | B P0T49672/E08C  |          |
| 11   | Ressort                           | P0013432        |          |      | Pied (4)                            | C P0T49672/P09H  |          |
| 12   | Volet de réglage d'air            | P0020857        |          | 33   | Pare-cendres gauche                 | P0050040         |          |
| 13   | Ens. corps de chauffe             | P0049751        |          | 34   | Pare-cendres droit                  | P0050044         |          |
| 14   | Déфлекteur                        | P0047569        |          |      |                                     |                  |          |
| 15   | Plaque arrière                    | P0019508        | X        | -    | Kit émail de retouche               | A V07167.2       |          |
| 16   | Grille de foyer                   | P0027651        | X        | -    | Kit émail de retouche               | B V07167.0       |          |
| 17   | Anse de cendrier                  | P0020105        |          | -    | Kit émail de retouche               | C V07167.3       |          |
| 18   | Cendrier                          | P0047572        |          |      |                                     |                  |          |
| 19   | Axe (2)                           | P0009645        |          |      |                                     |                  |          |
|      | Arrêt d'axe ARCB - Ø5 (2)         | P0009582        |          |      |                                     |                  |          |
| 20   | Tresse - Ø15 - noire              | D0045928        | X        |      |                                     |                  |          |

A: C07788.05

B: C07788.08

C: C07788.09